

# 印尼-集装箱宿舍

## 建筑概况:

1. 该建筑由80套焊接箱组成, 每层40个焊接箱, 共两层, 单箱尺寸6000×2438×2791mm。屋面客户自理。

## 荷载设防:

基本风速: 常规      雪荷载: 无      箱底活载: 2.00kN/m<sup>2</sup>

## 材料参数:

- 箱体框架: 所有型材采用SGH440高强镀锌, 喷粉烤漆处理, 不含雨水管, 框架颜色RAL6000。次梁设9根, 设有铲车梁。箱顶/底框架长边主梁3mm, 短边主梁2.5mm; 立柱厚度2.5mm。
- 箱顶板: 100mm玻璃棉夹芯板顶, 玻璃棉密度40kg/m<sup>3</sup>, 上彩钢板含涂层厚度为0.40mm(颜色为RAL6000, 彩钢板表面涂层为AZ50g/m<sup>2</sup>)/下彩钢板含涂层厚度为0.40mm(颜色为白灰, 彩钢板表面涂层为AZ50g/m<sup>2</sup>)。
- 外墙面板: 75mm玻璃棉夹芯板墙面, 玻璃棉密度40kg/m<sup>3</sup>, 双面彩钢板含涂层厚度为0.40mm, 外面板颜色为RAL6000, 内面板颜色为白灰, 墙板单面覆膜, 彩钢板表面涂层为AZ50g/m<sup>2</sup>。
- 内墙面板: 75mm玻璃棉夹芯板墙面, 玻璃棉密度40kg/m<sup>3</sup>, 双面彩钢板含涂层厚度为0.40mm, 双面板颜色为白灰, 彩钢板表面涂层为AZ50g/m<sup>2</sup>。
- 地面参数: 室内地面为: PVC地板(客户自理)+18mm水泥纤维板。
- 轻钢屋架+屋面板及包边、泛水: 客户自理。
- 楼梯雨棚: 方管立柱(Q235, 热镀锌), 方管雨棚梁(Q235, 热镀锌), 1.5mm厚C型钢(SGH440高强镀锌), 不含屋面板及泛水包边等维护。
- 室外楼梯: 3mm镀锌板梯梁(SGH440高强镀锌), 楼梯钢格栅踏板(Q235, 热镀锌)。
- 室外走道: 方管立柱(Q235, 热镀锌), 1.5mm厚自折C型走道板(SGH440高强镀锌), 走道栏杆(Q235, 表面处理氟碳漆)。
- 门: D1: 820x2100mmWPC门(门框RAL6000, WPC门板覆膜颜色灰黑)(内左)(共40樘)  
D2: 820x2100mmWPC门(门框RAL6000, WPC门板覆膜颜色灰黑)(内右)(共40樘)  
D3: 720x2100mmWPC门(门框RAL6000, WPC门板覆膜颜色灰黑)(内左)(共40樘)  
D4: 720x2100mmWPC门(门框RAL6000, WPC门板覆膜颜色灰黑)(内右)(共40樘)  
注: 门尺寸为门扇尺寸。
- 窗: W1: 800x1100mm铝合金单玻固定窗(窗框RAL6000)(共80樘)  
W2: 800x400mm铝合金单玻固定窗(窗框RAL6000)(共80樘)  
S1: 5寸圆型PVC换气扇(换气扇客户自理, 线管我司预埋)
- 卫浴标准: 卫浴设施客户自理, 边厕卫生间排水管预埋, 给水管我司提供, 客户现场明装。
- 电力标准: 电路只需要PVC线管+开关插座底盒预埋(线盒要求为施耐德产品), 其余电线、开关、插座、电灯等客户自理。
- 装饰系统: 含地面踢脚线, 顶部和转角饰条。

注: 1. 户外走道+楼梯扶手表面氟碳漆处理, 颜色为黄色。



施耐德线盒(示意图)

Copyright 2016

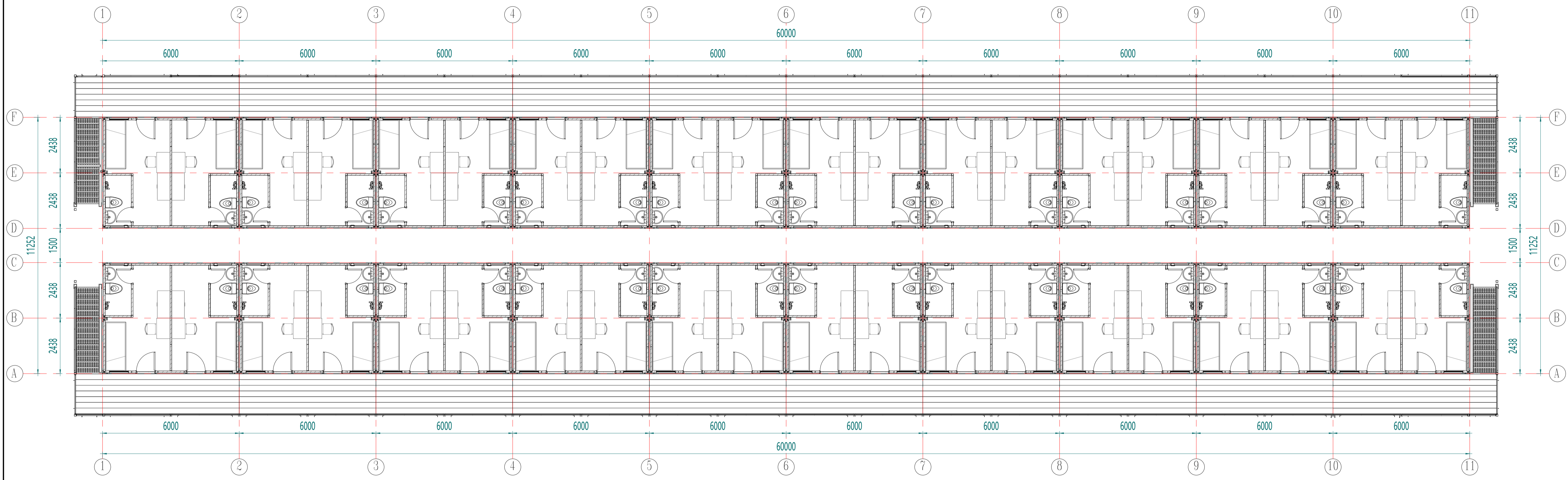
No.	Description	Date	Who used
 www.cbcprefab.com			
Designer:			
Project Name	印尼-集装箱宿舍		
设计说明			
No.	PT211151	Rev	JZ
Date		Drawn	JD-O

This drawing is valid only after being approved and stamped by the CBJ.

No.	Description	Date	Who used
-----	-------------	------	----------



Company or Designer



1F/2F平面布置图

Project	Operation	Date
Submitted By		
Verified By		
Checked By		
Designed By	XJJ	12/10/21
Drawn By	XJJ	12/10/21

Project Name  
 印尼-集装箱宿舍

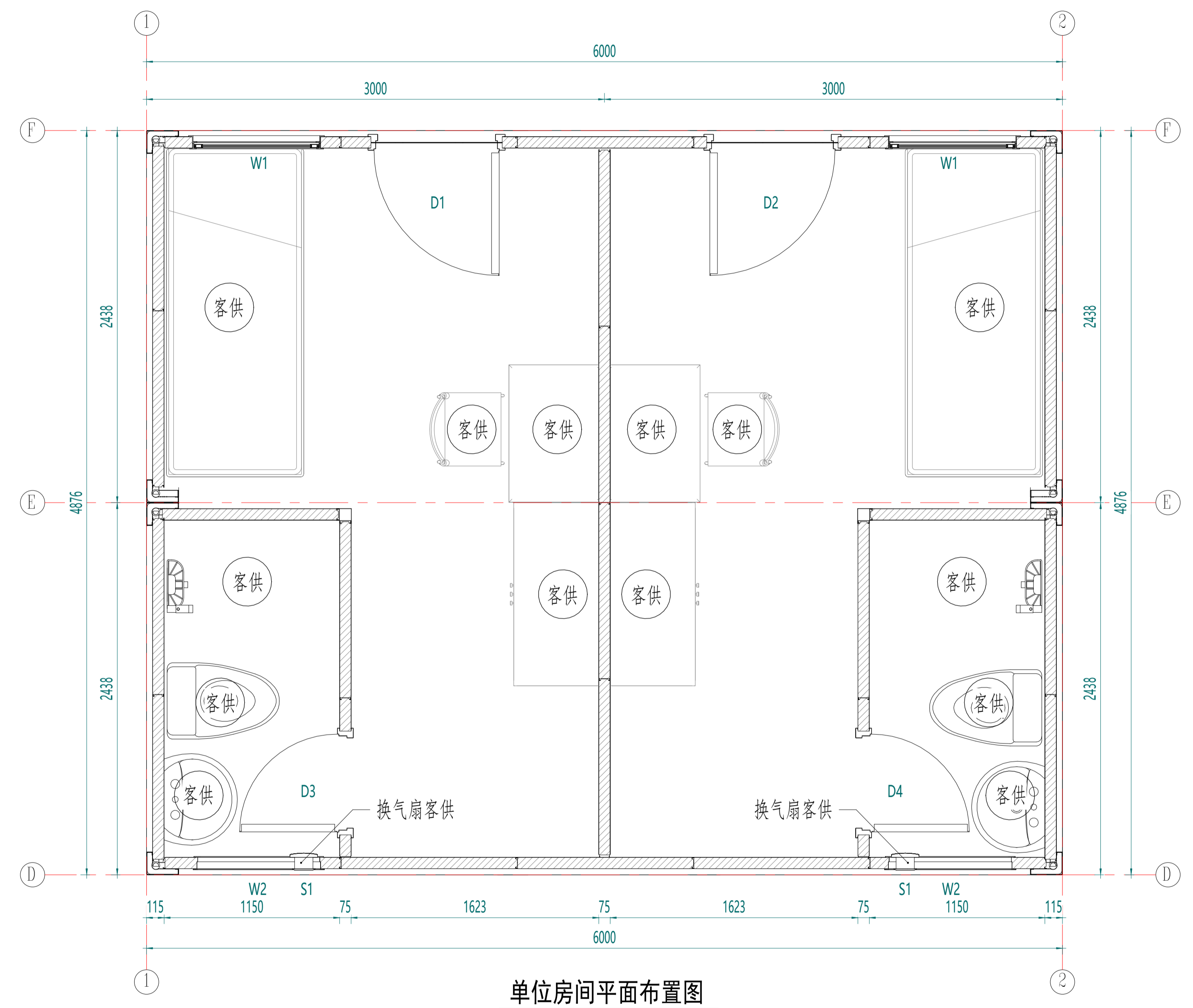
Title			
平面布置图			
No.	PT211151	Ver.	JZ
Date		Sheet	JD-1

This drawing is valid only after being stamped and signed by the...

No.	Description	Date	Who used
-----	-------------	------	----------



Company or Designer



单位房间平面布置图

Project	Operation	Date
Submitted By		
Verified By		
Project		
Checked By		
Designed By	XJJ	12/10/21
Drawn By	XJJ	12/10/21

Engineer Signature

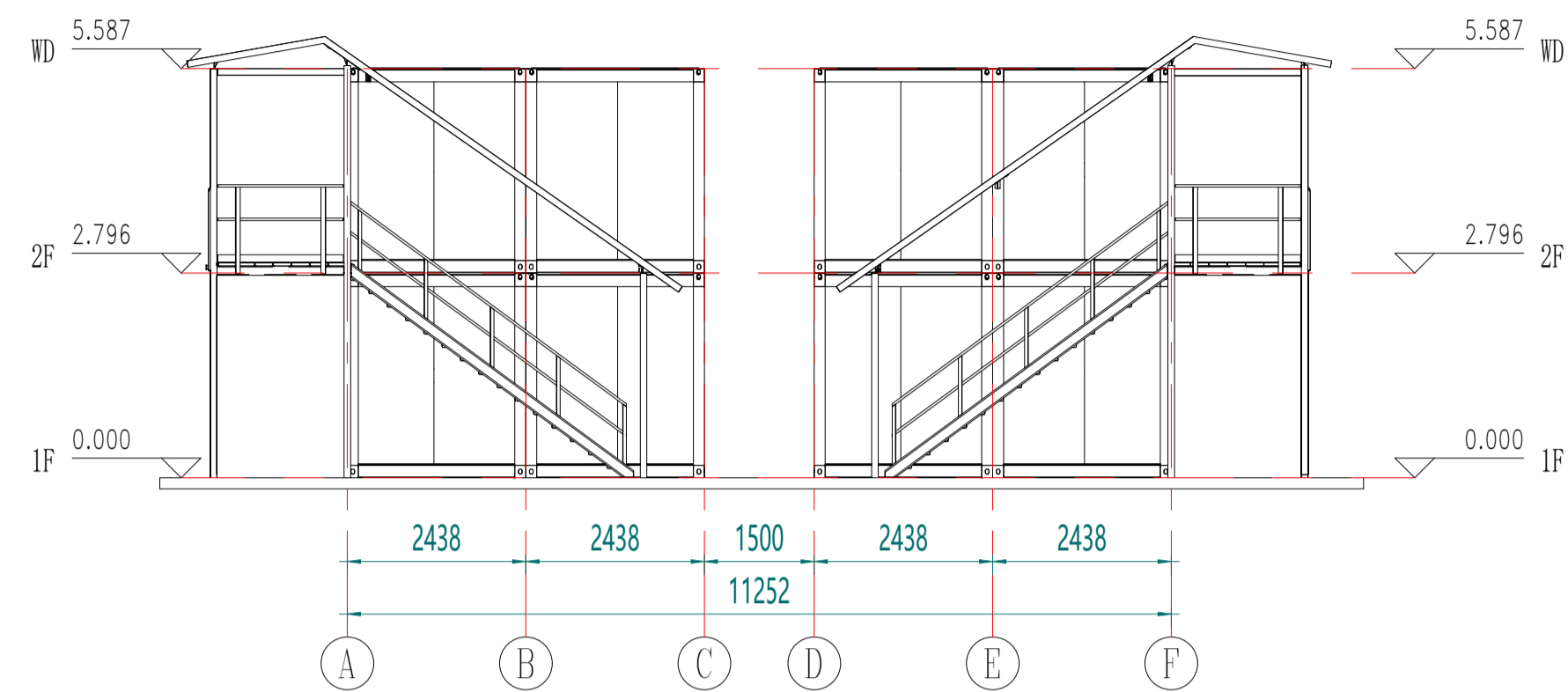
Project Name

印尼-集装箱宿舍

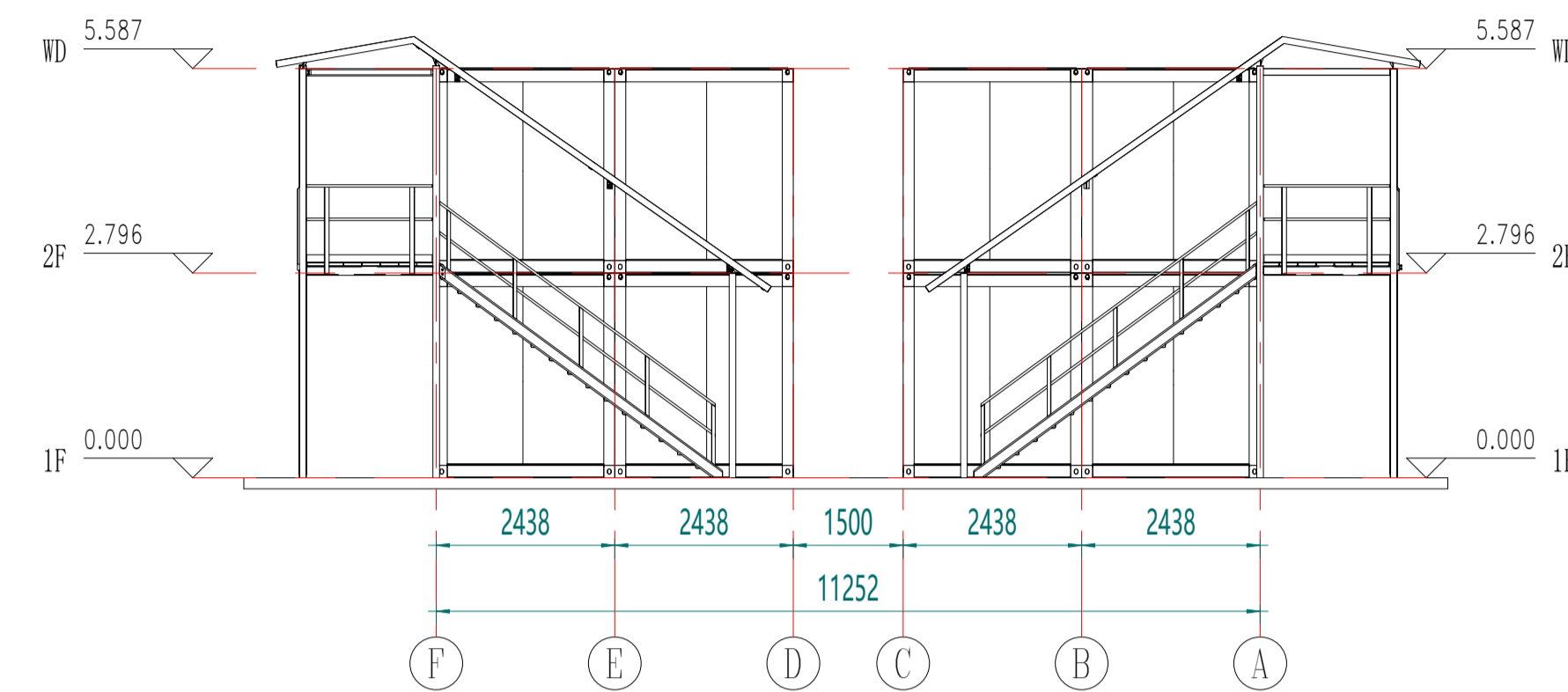
平面布置图

No.	PT211151	Rev.	JZ
Date		Sheet	JD-2

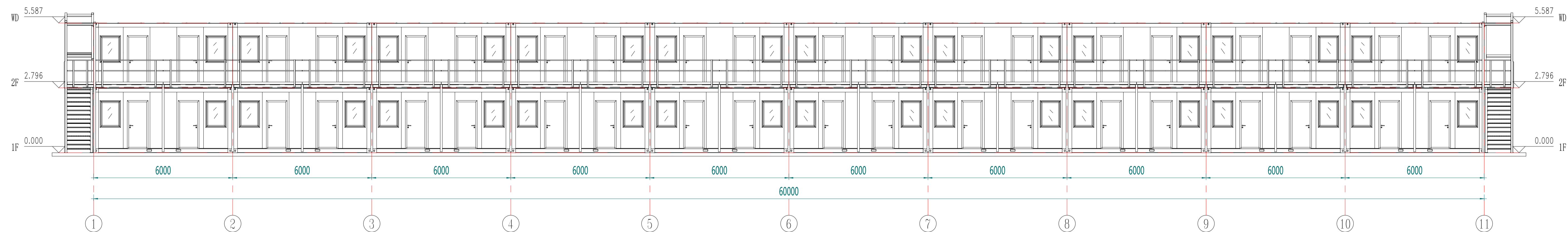
This drawing is valid only after being stamped and signed by the SI.



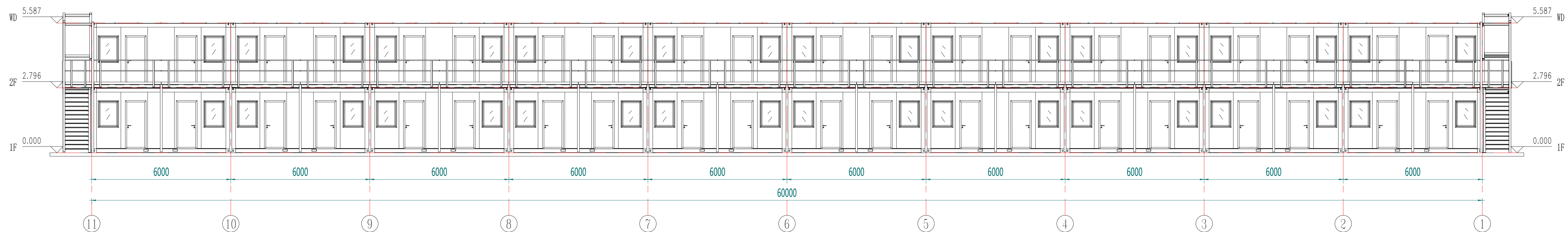
东立面



西立面



南立面



北立面

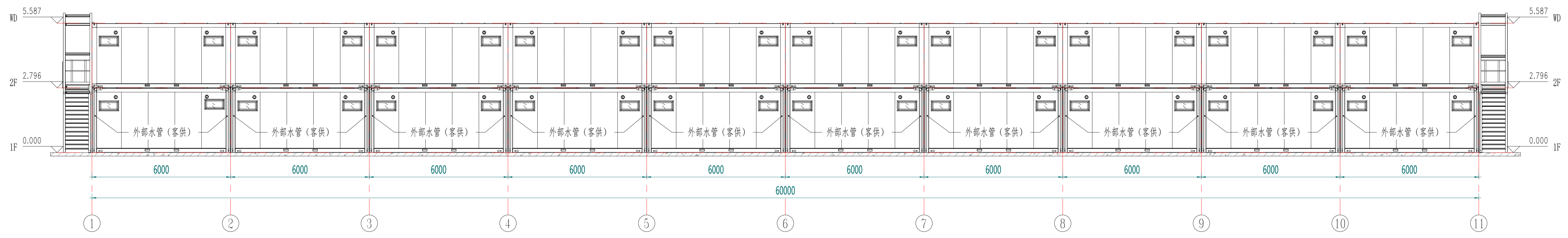
Process	Operator	Date
Submitted By		
Verified By		
Process		
Checked By		
Designed By	XJJ	12/10/21
Drawn By	XJJ	12/10/21
Engineer Signature		

Project Name	
印尼-集装箱宿舍	
Title	
立面布置图	
No.	PT211151
Rev.	JZ
Date	
Sheet	JD-3

No.	Description	Date	Who used



Company or Designer



中部立面布置

Process	Signature	Date
Author		
Checked		
Designed		
Designed By	XJJ	12/15/21
Drawn By	XJJ	12/15/21

Project Name  
 印尼-集装箱宿舍

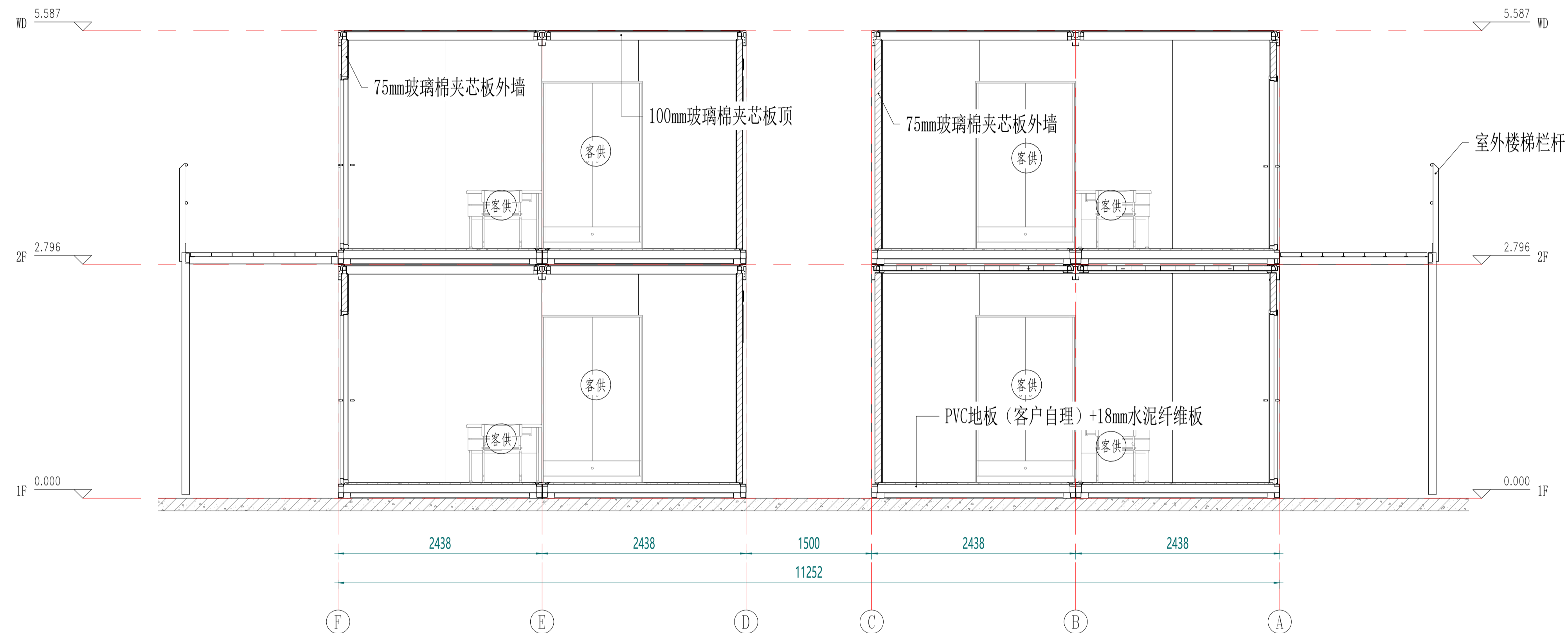
立面布置图			
No.	PT211151	Ver.	JZ
Date		Sheet	J0-4

This drawing is void unless after being stamped and signed by the

No.	Description	Date	Who used
-----	-------------	------	----------



Designer/Designer



剖面布置图

Project	Operation	Date
Submitted By		
Verified By		
Project		
Checked By		
Designed By	XJJ	12/10/21
Drawn By	XJJ	12/10/21

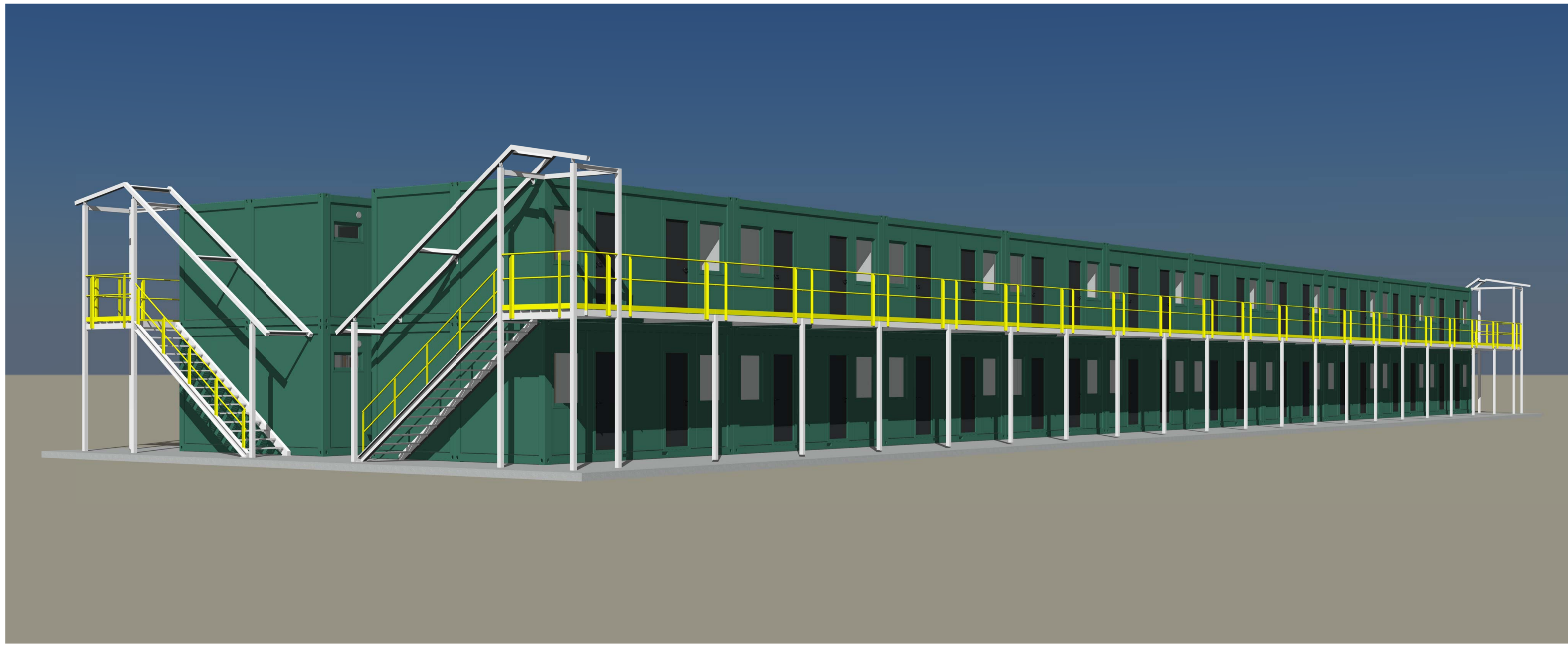
Project Name  
 印尼-集装箱宿舍

Title			
剖面布置图			
No.	PT211151	Rev.	JZ
Date		Sheet	JD-5

No.	Description	Date	Who used
-----	-------------	------	----------



Customer Designer



Project	Operator	Date
Submitted By		
Verified By		
Project		
Checked By		
Designed By	XJJ	12/10/21
Drawn By	XJJ	12/10/21

Engineer Signature

Project Name

印尼-集装箱宿舍

三视图

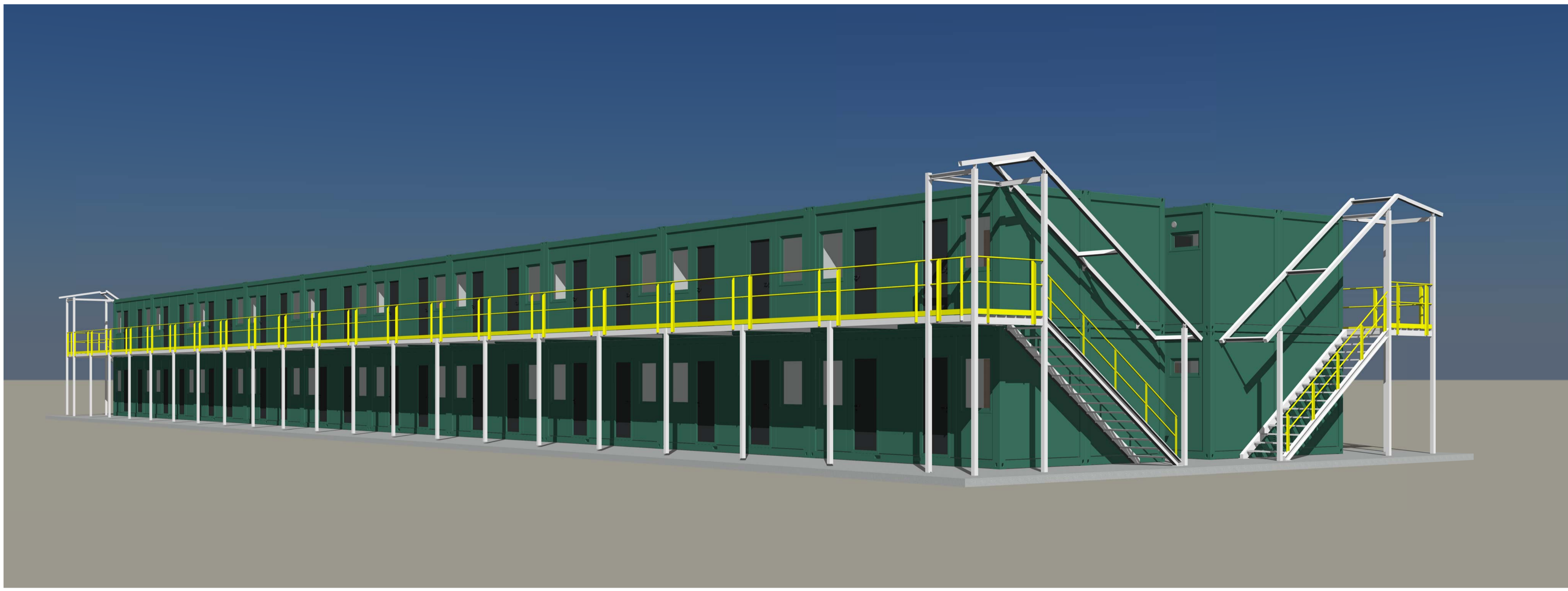
No.	PT211151	Year	JZ
Date		Page No.	JD-6

注：颜色仅供参考，具体颜色按照订单备注或者样品为准

No.	Description	Date	Who used



Company or Designer



Project	Operation	Site
Submitted By		
Verified By		
Project		
Checked By		
Designed By	XJJ	12/10/21
Drawn By	XJJ	12/10/21

Engineer Signature

Engineer Signature

Project Name

印尼-集装箱宿舍

Title

三维视图

No.	PT211151	Year	JZ
Date		Sheet	JD-7

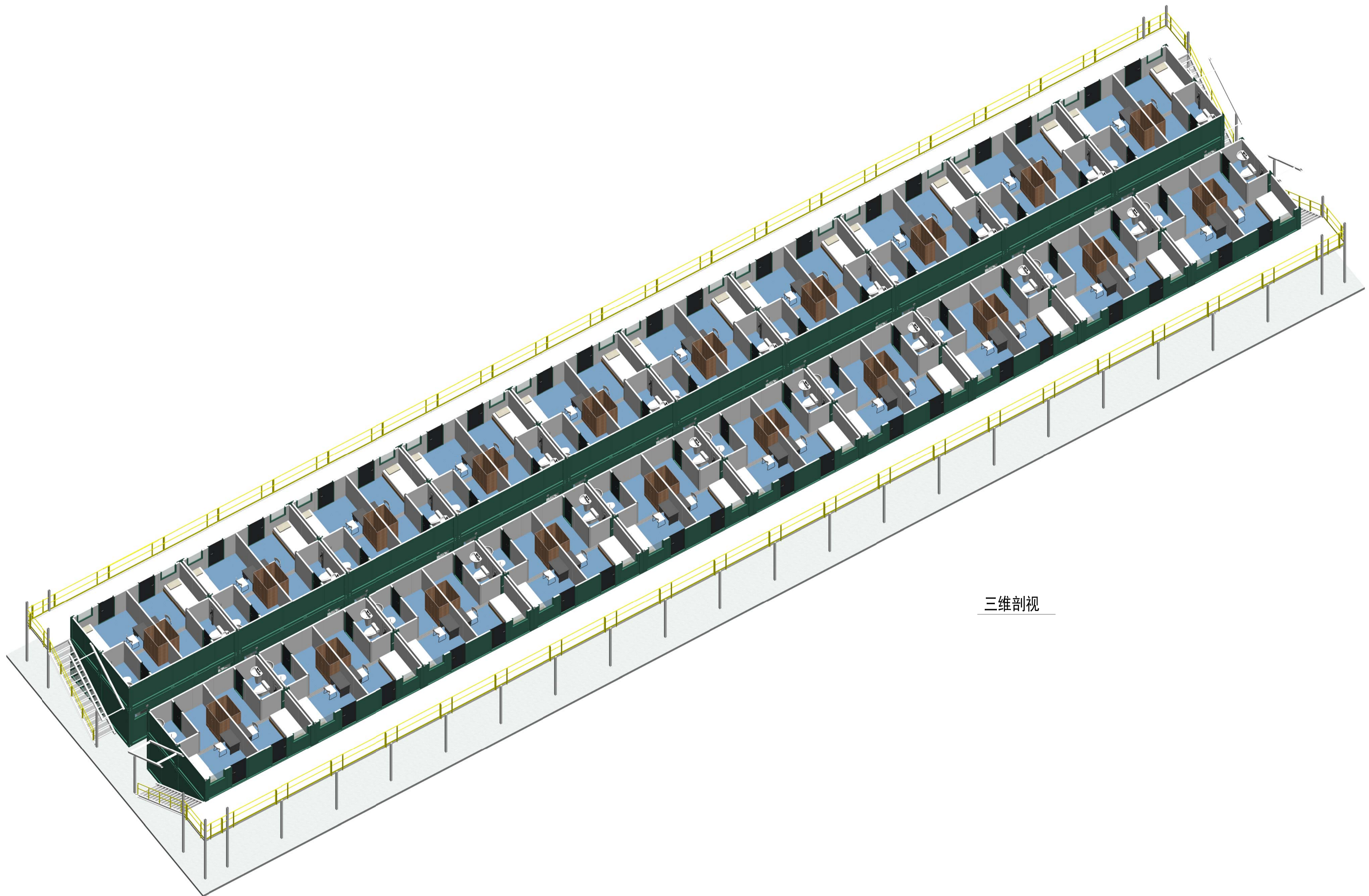
This drawing is void and only after being stamped and signed by the

注：颜色仅供参考，具体颜色按照订单备注或者样品为准

No.	Description	Date	Who used
-----	-------------	------	----------



Company Designer



三维剖视

Project	Operation	Date
Author		
Verified		
Project		
Checked		
Designed	XJJ	12/10/21
Drawn	XJJ	12/10/21

Engineer Signature

Engineer Signature

Project Name

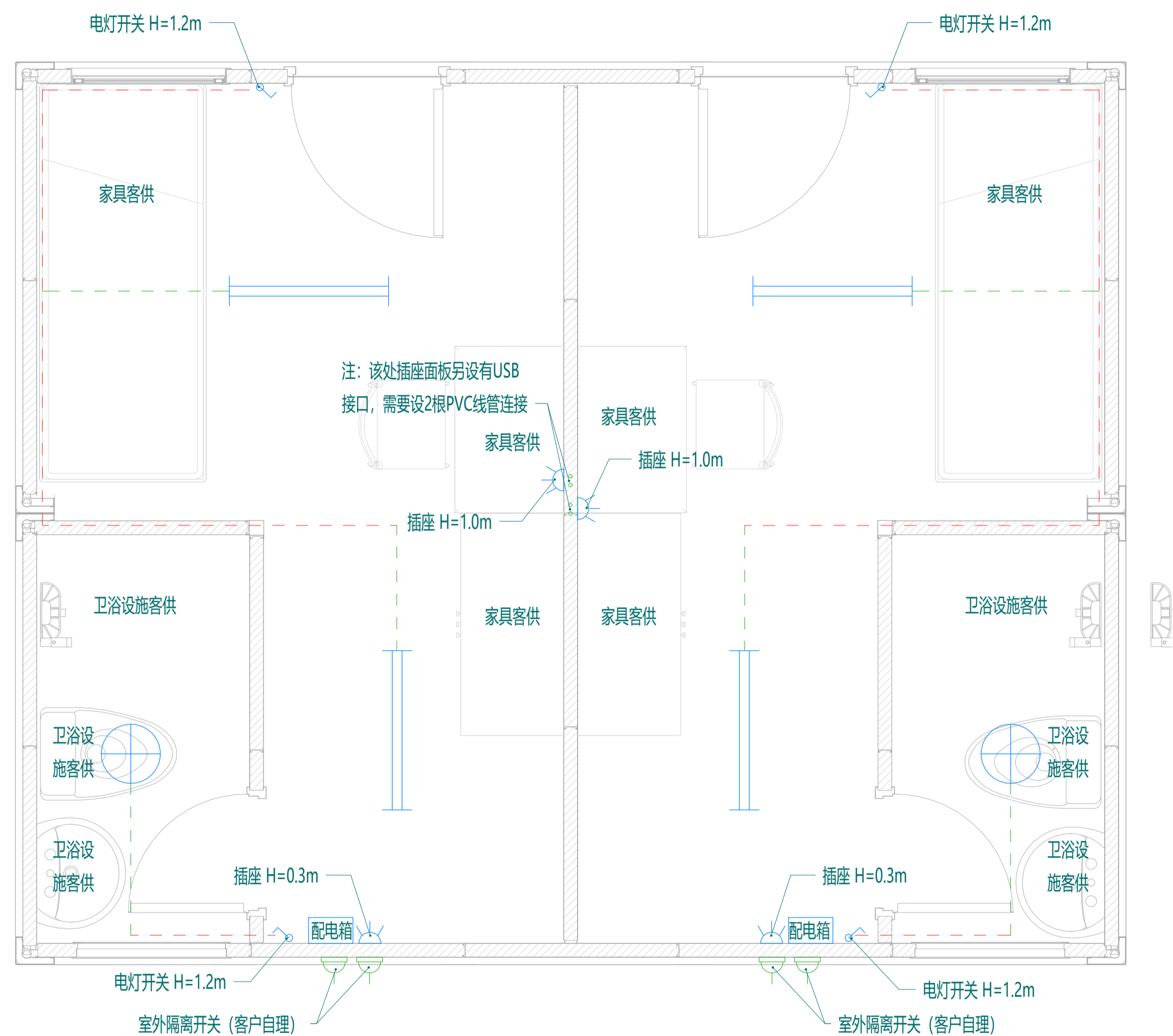
印尼-集装箱宿舍

Title

三维剖视

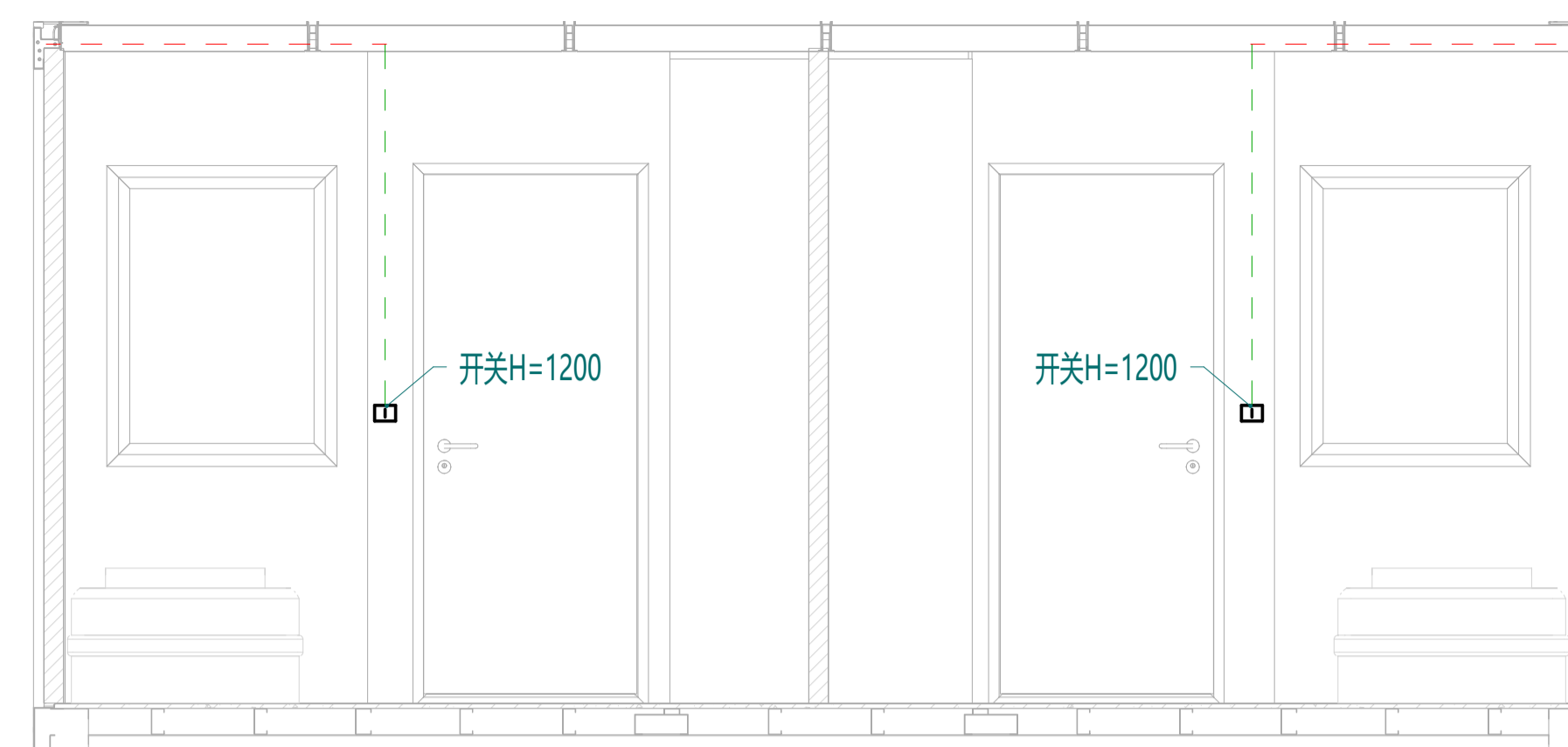
No.	PT211151	Year	JZ
Scale		Sheet	JD-8

This drawing is valid only after being stamped and signed by the...

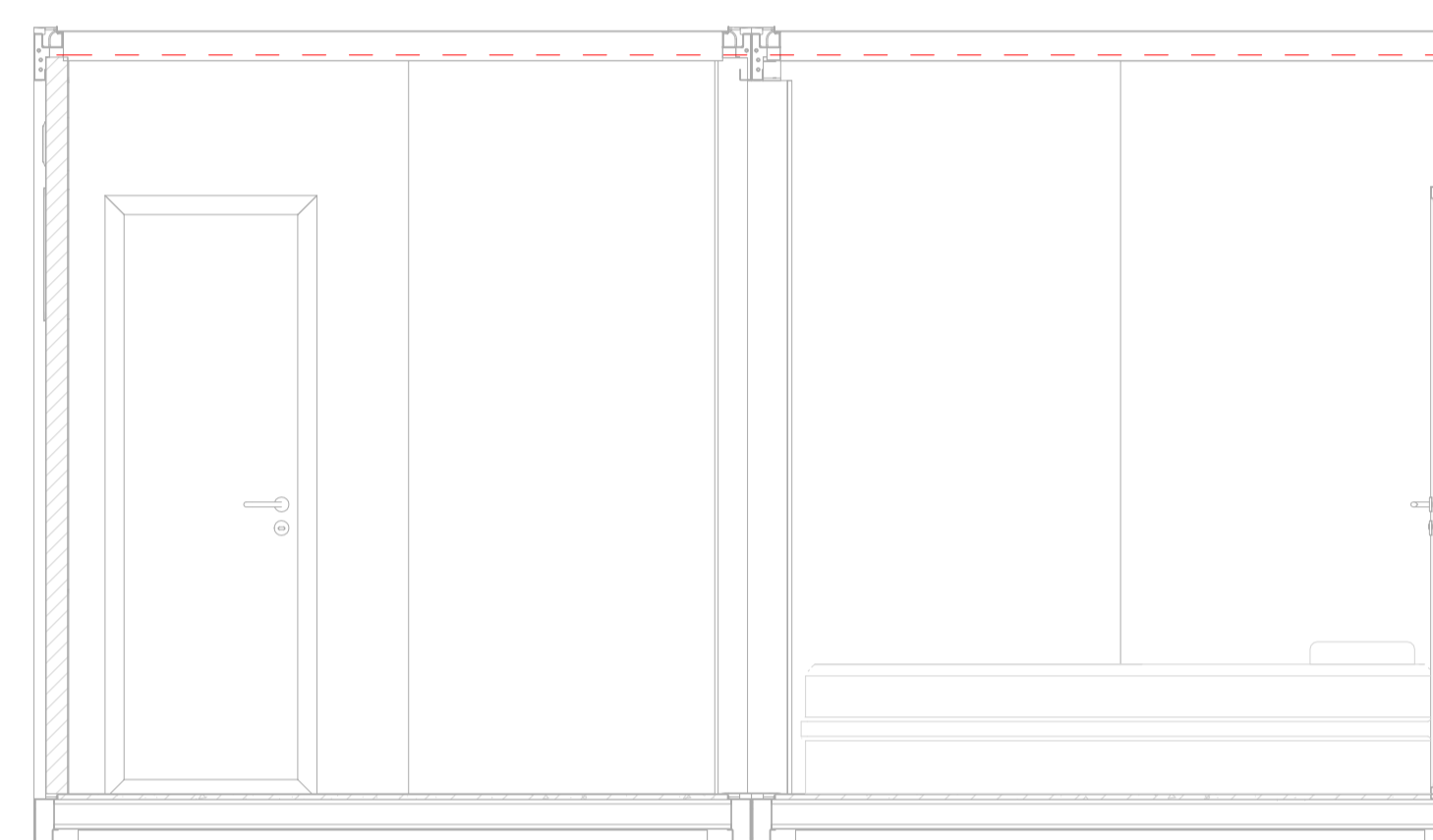


单位房间电力布置图

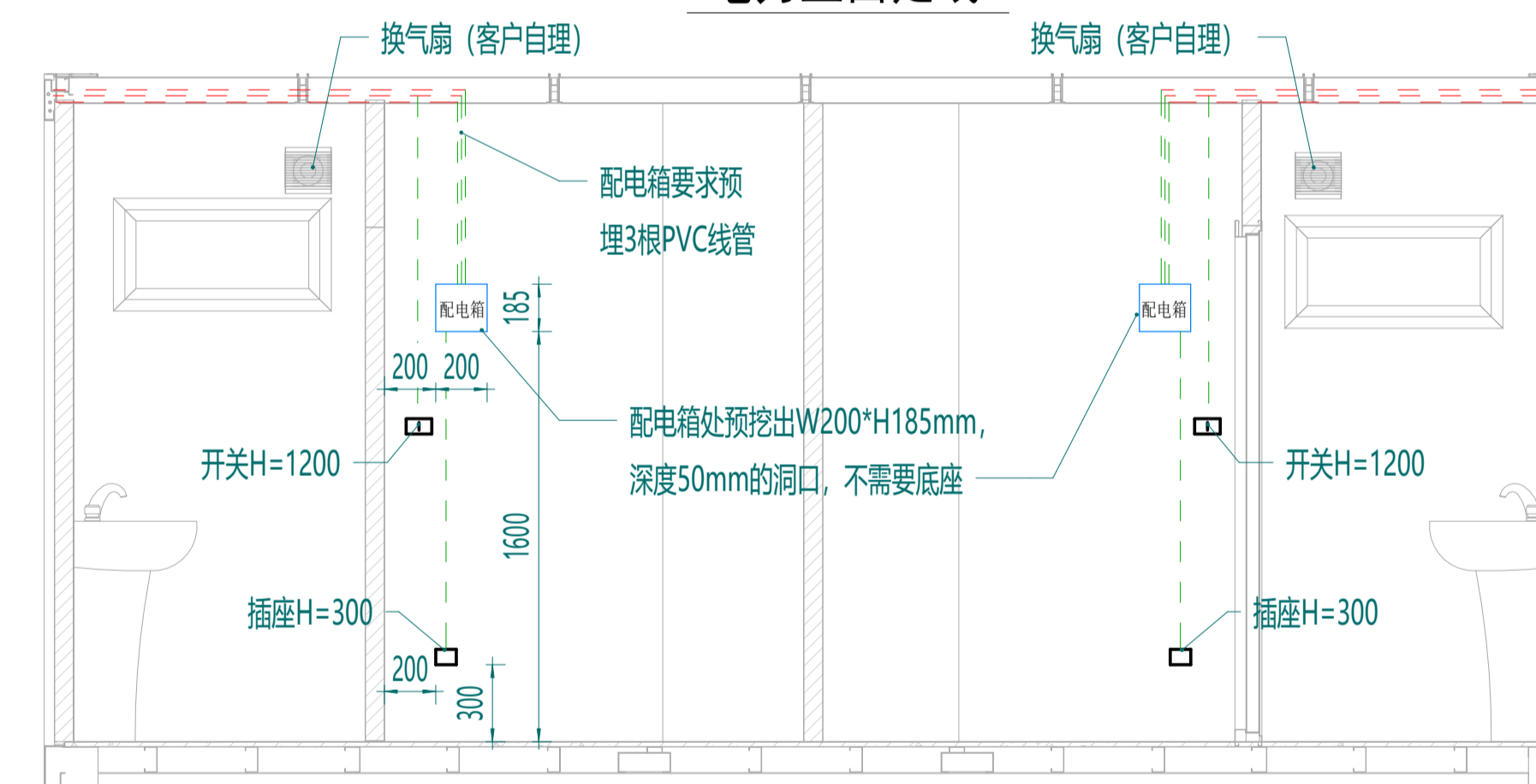
注：电路只需要PVC线管+开关插座底盒预埋，客户现场穿线，电线、开关、插座、电灯客户自理。



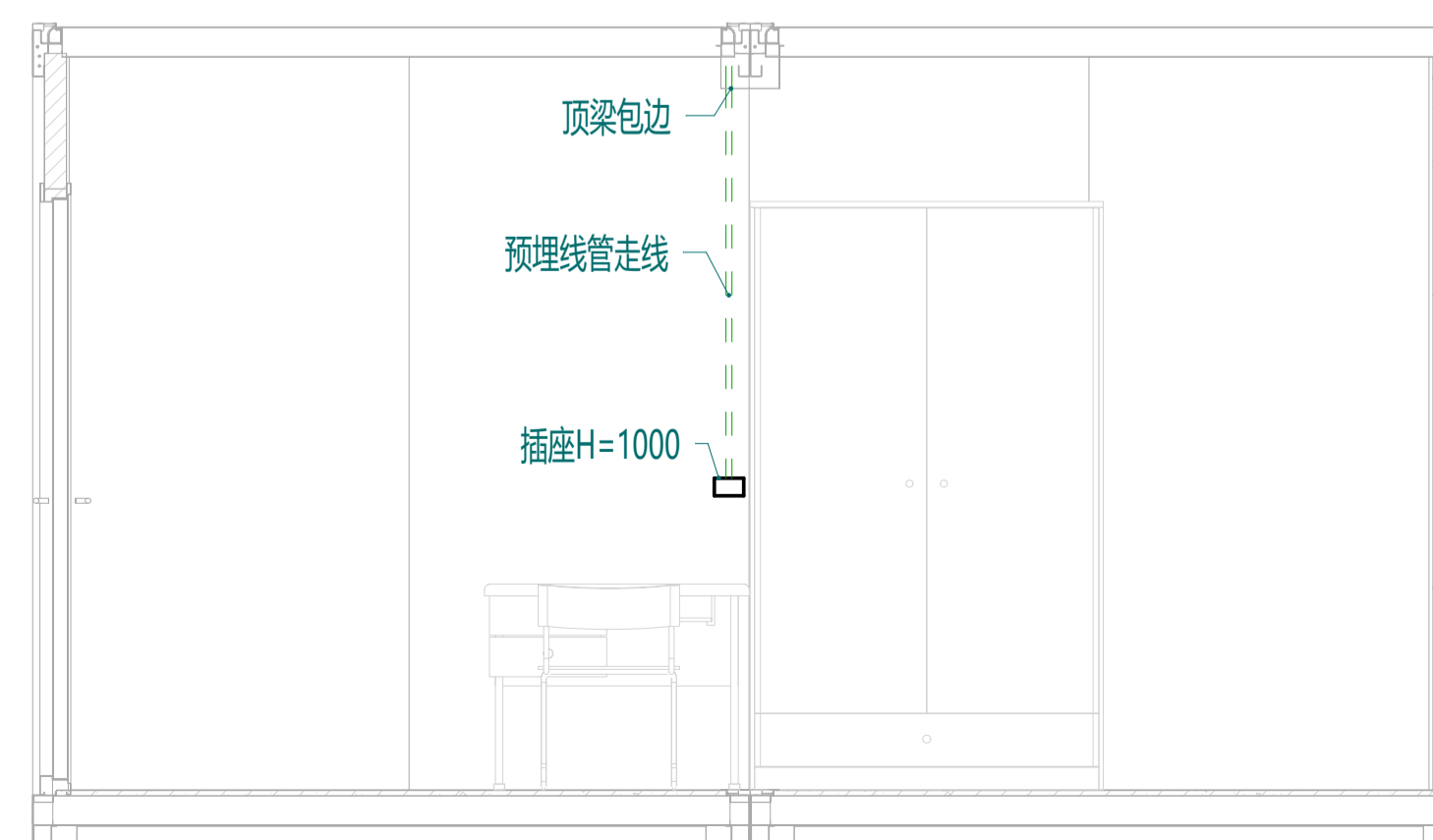
电力立面走线1



电力立面走线2



电力立面走线3



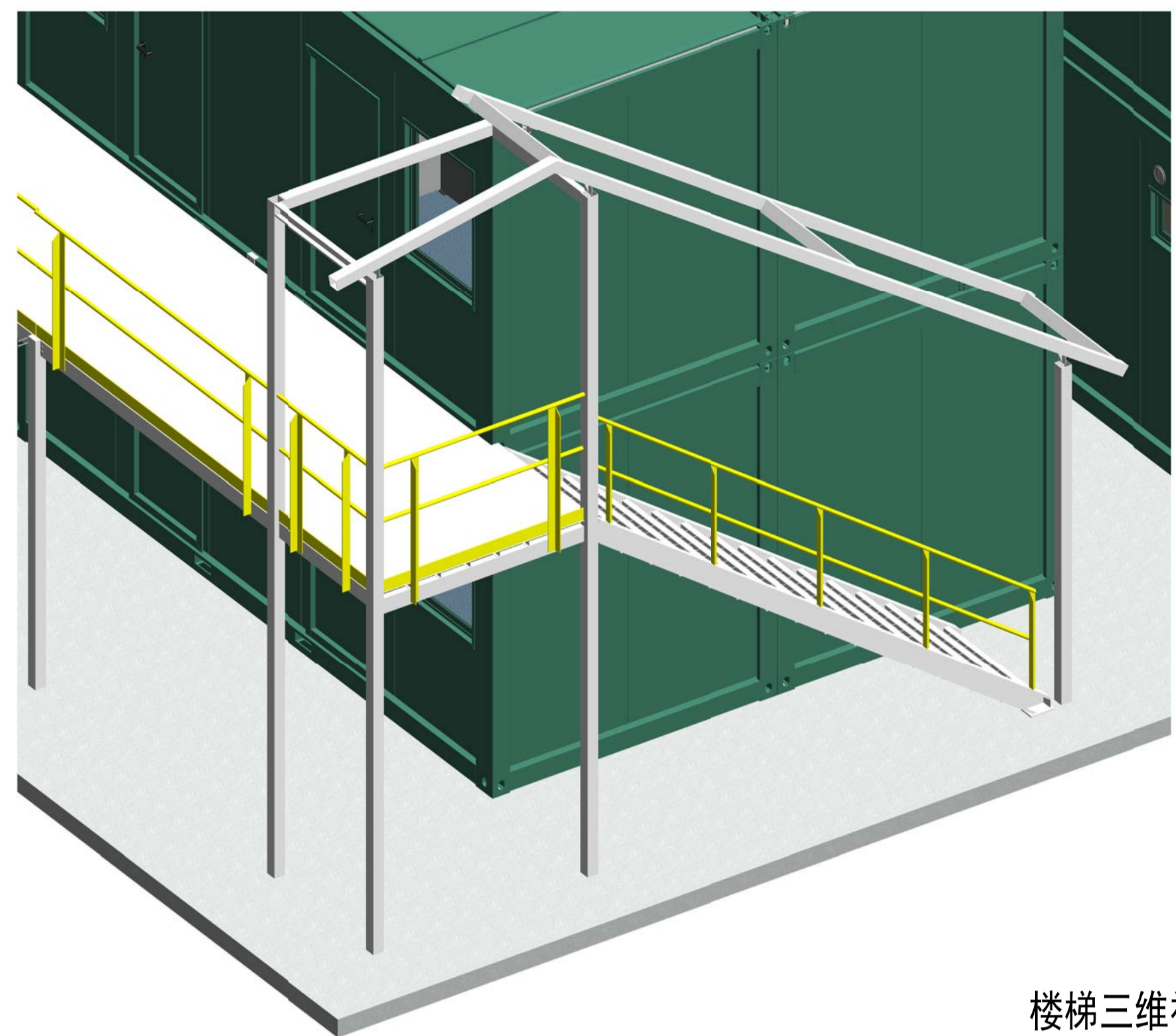
电力立面走线4



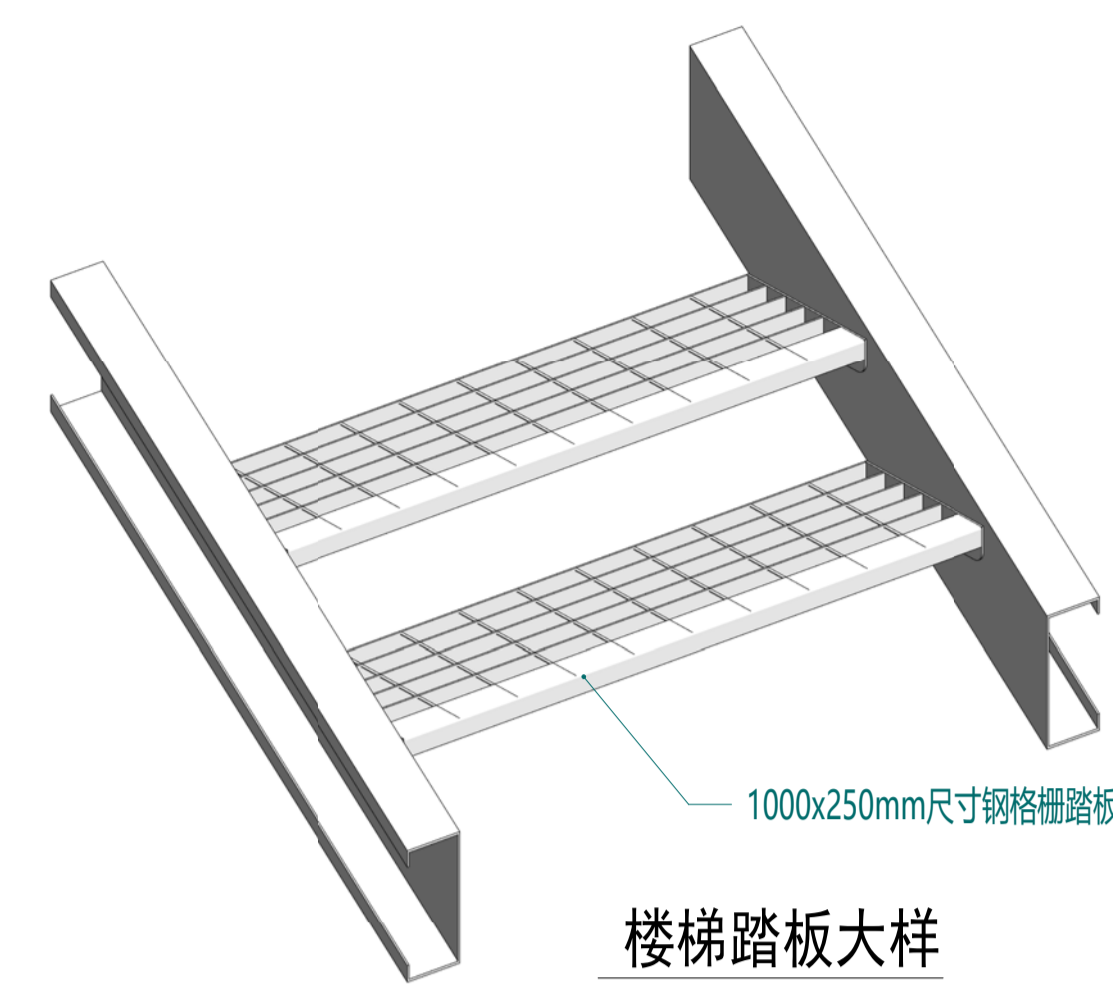
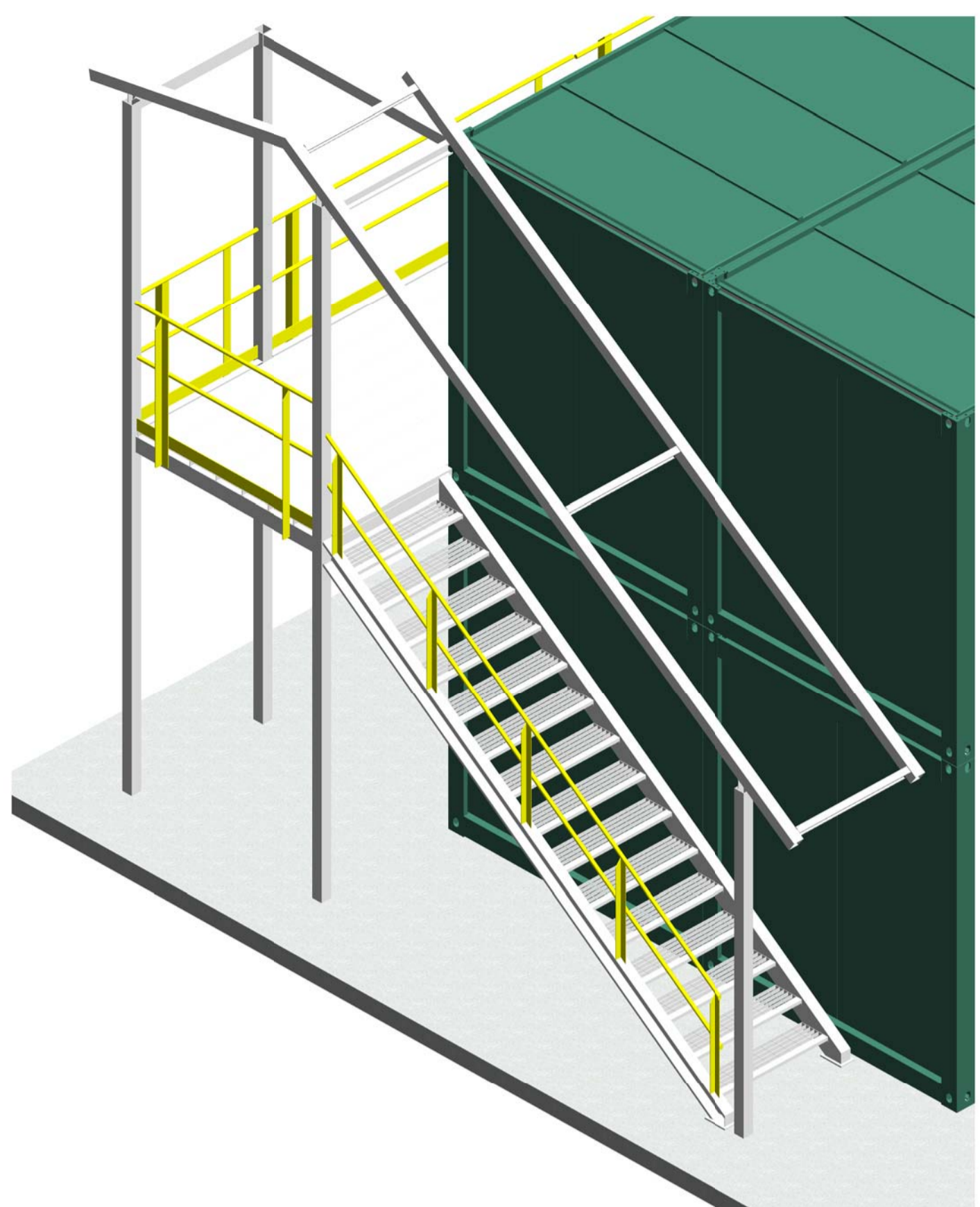
No.	Description	Date	Who used
-----	-------------	------	----------



Company Designer

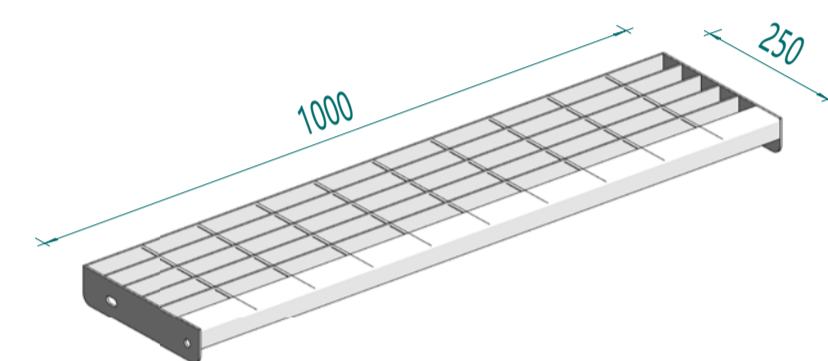


楼梯三维视图

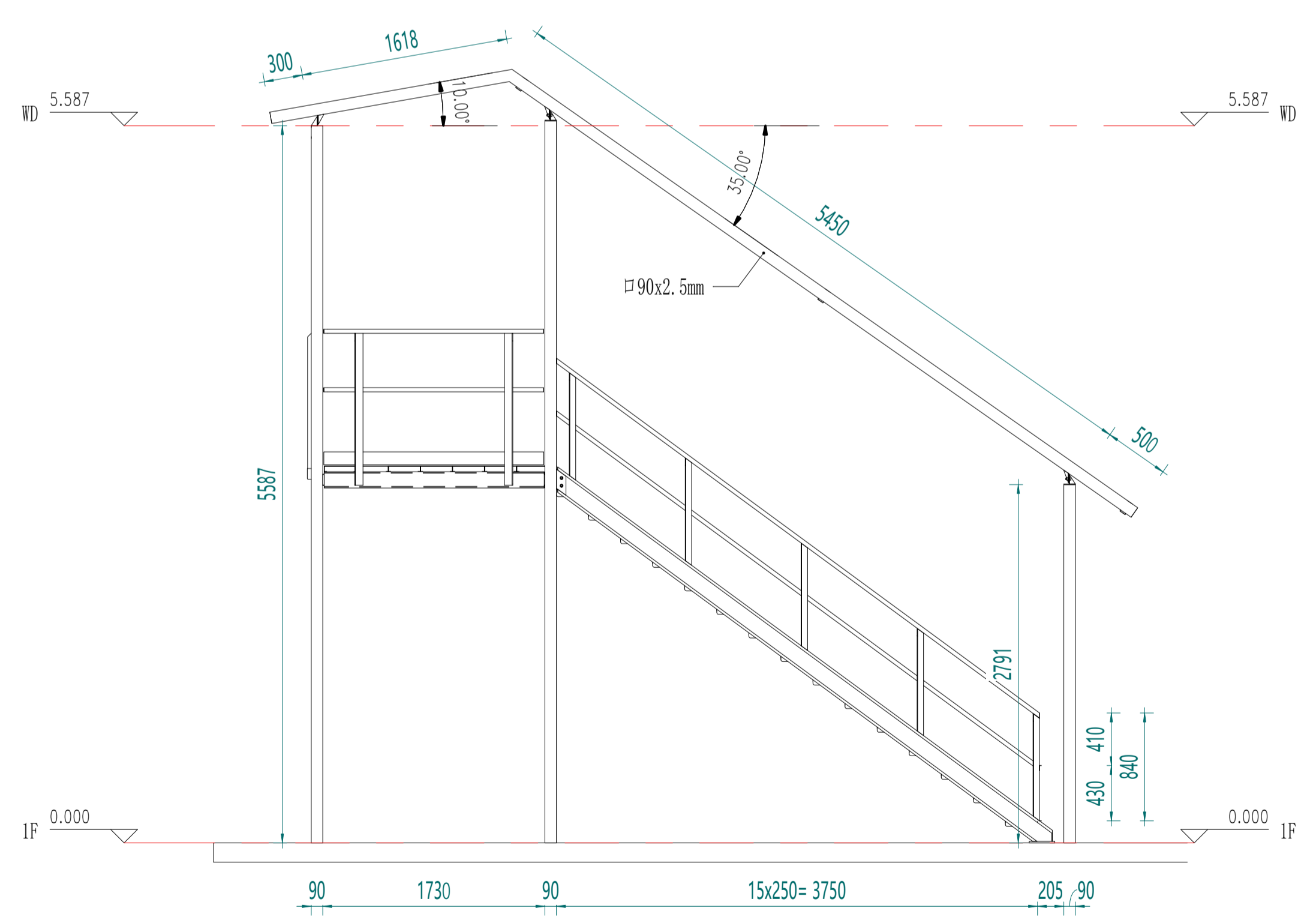


1000x250mm尺寸钢格栅踏板

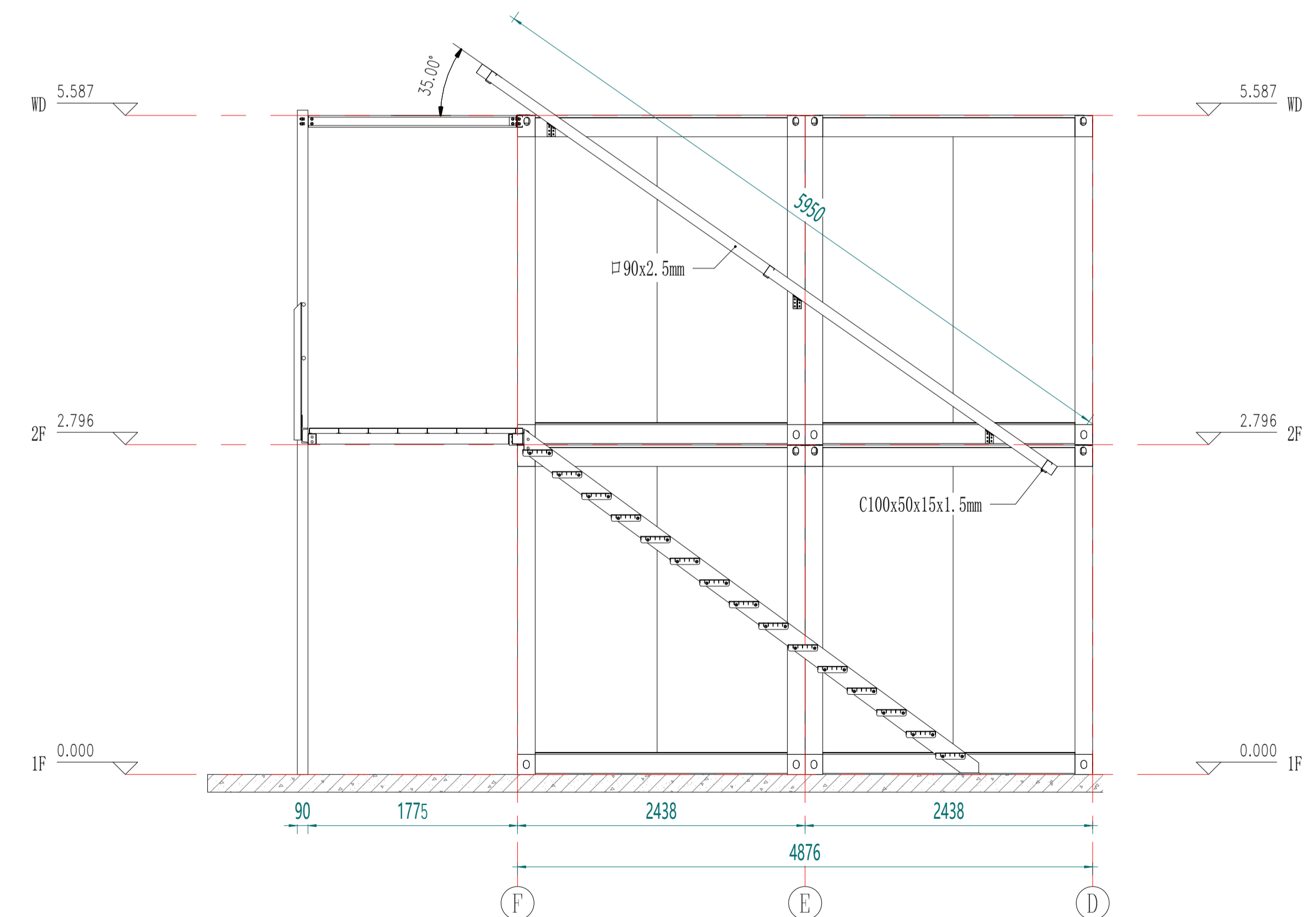
楼梯踏板大样



钢格栅踏板大样



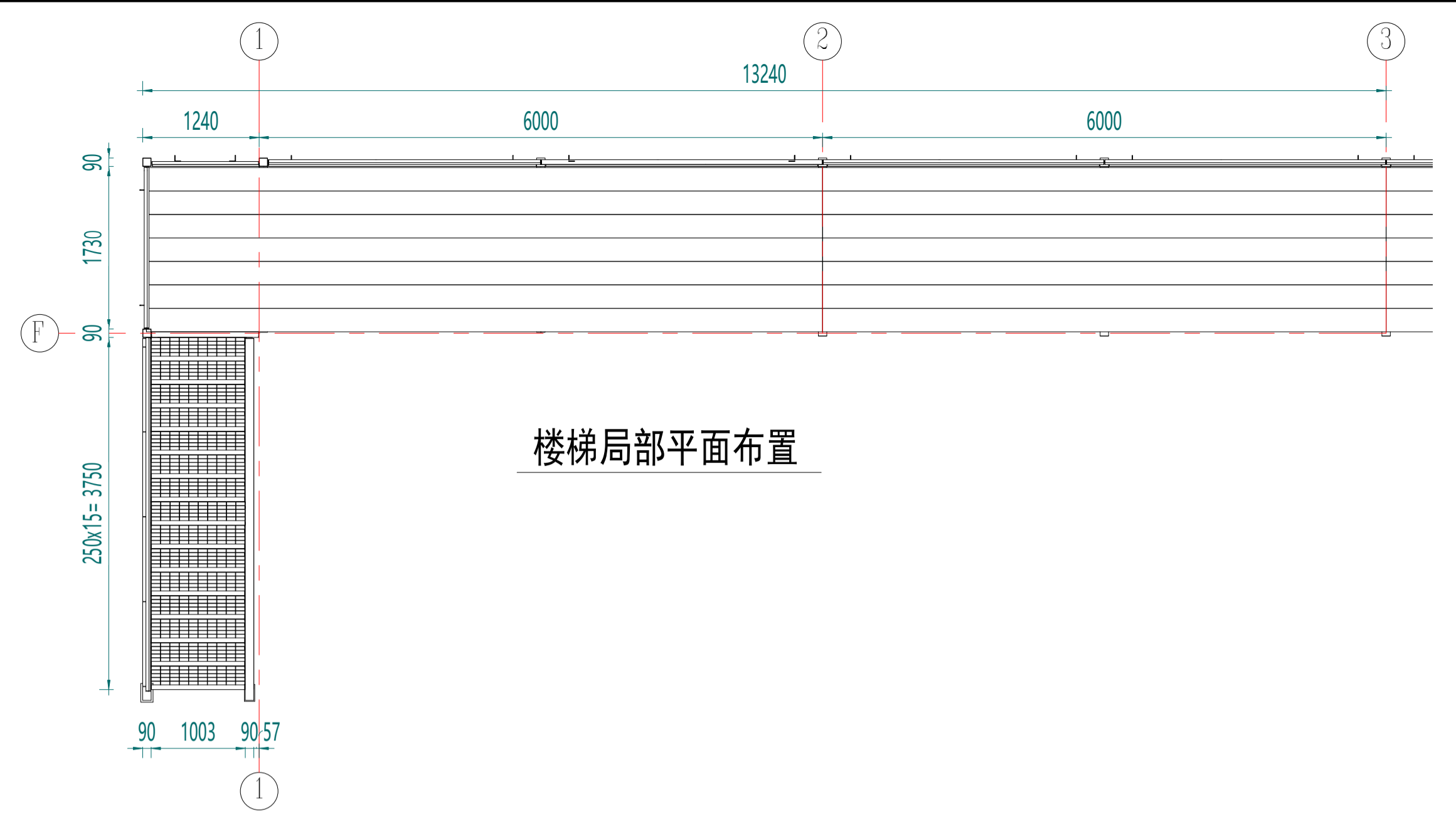
楼梯立面1



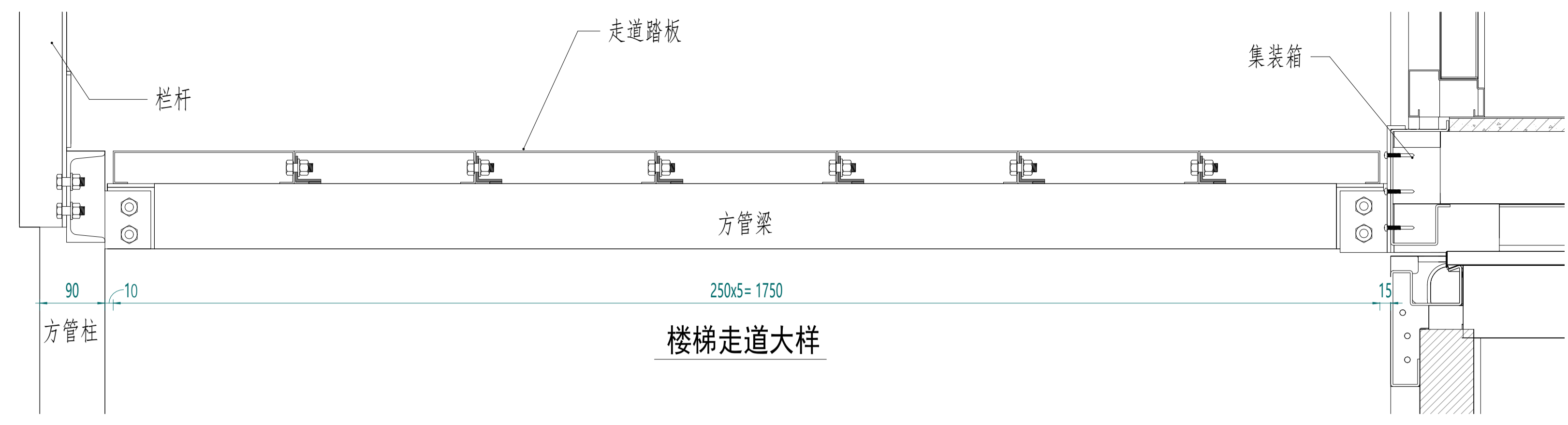
楼梯立面2

Project Name	Operation	Date
Submitted By		
Verified By		
Checked By		
Designed By	XJJ	12/13/21
Drawn By	XJJ	12/13/21

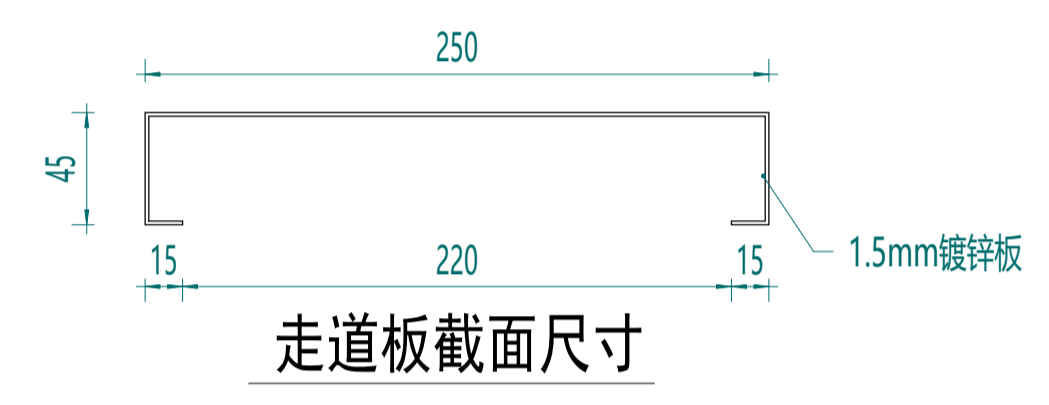
Project Name			
印尼-集装箱宿舍			
Title			
楼梯节点			
No.	PT211151	Rev.	JZ
Date		Sheet	JD-11



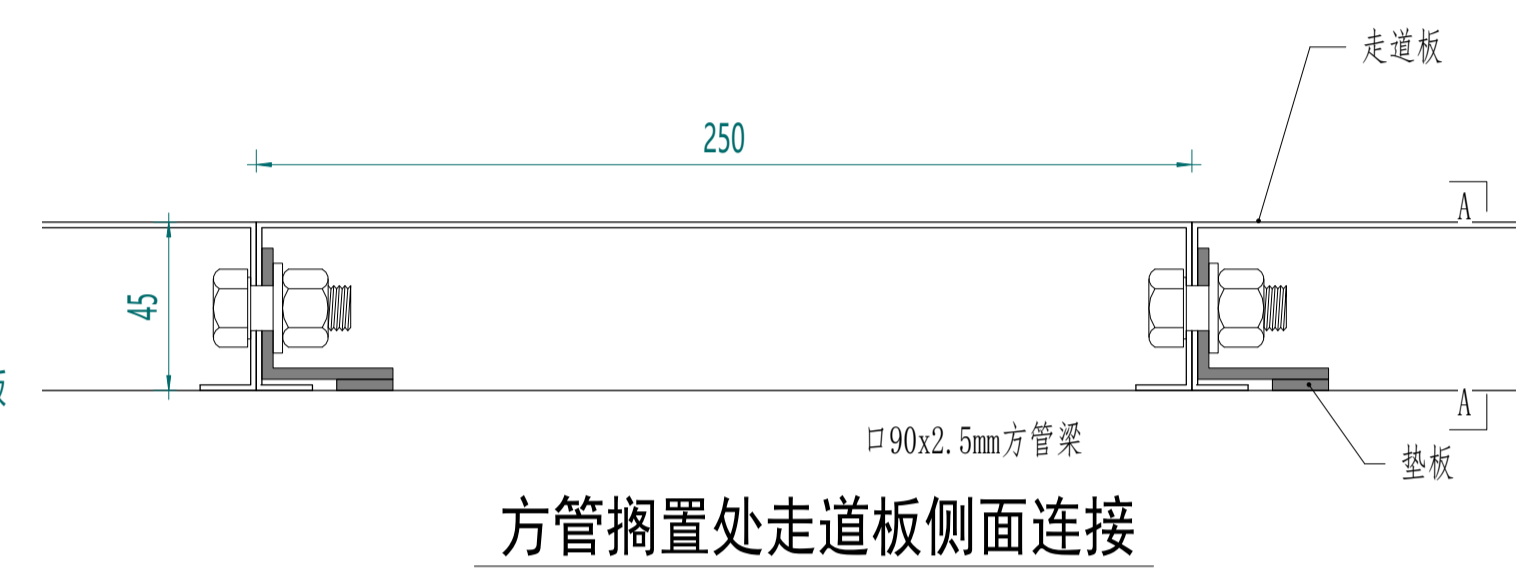
楼梯局部平面布置



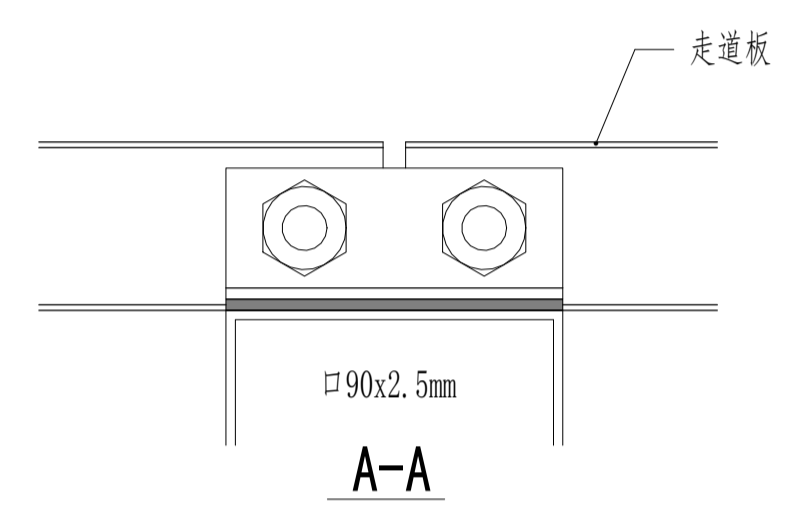
楼梯走道大样



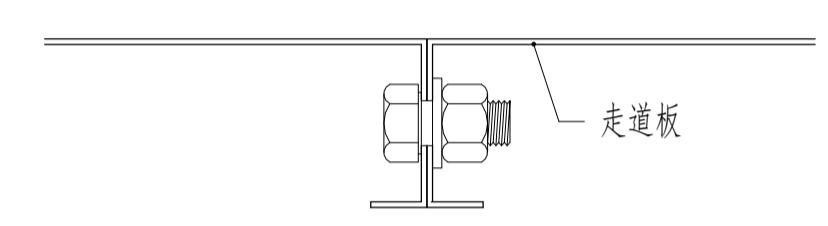
走道板截面尺寸



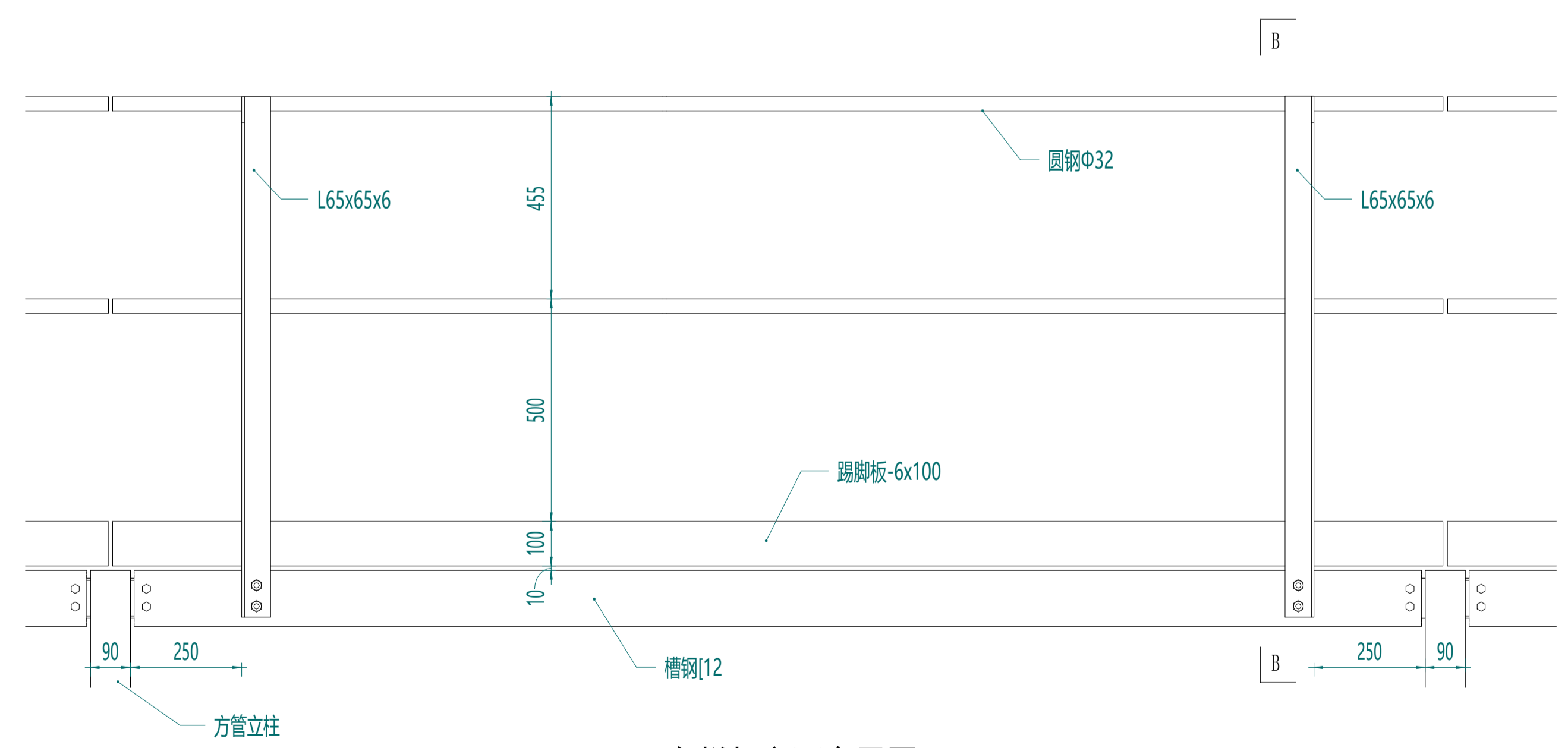
方管搁置处走道板侧面连接



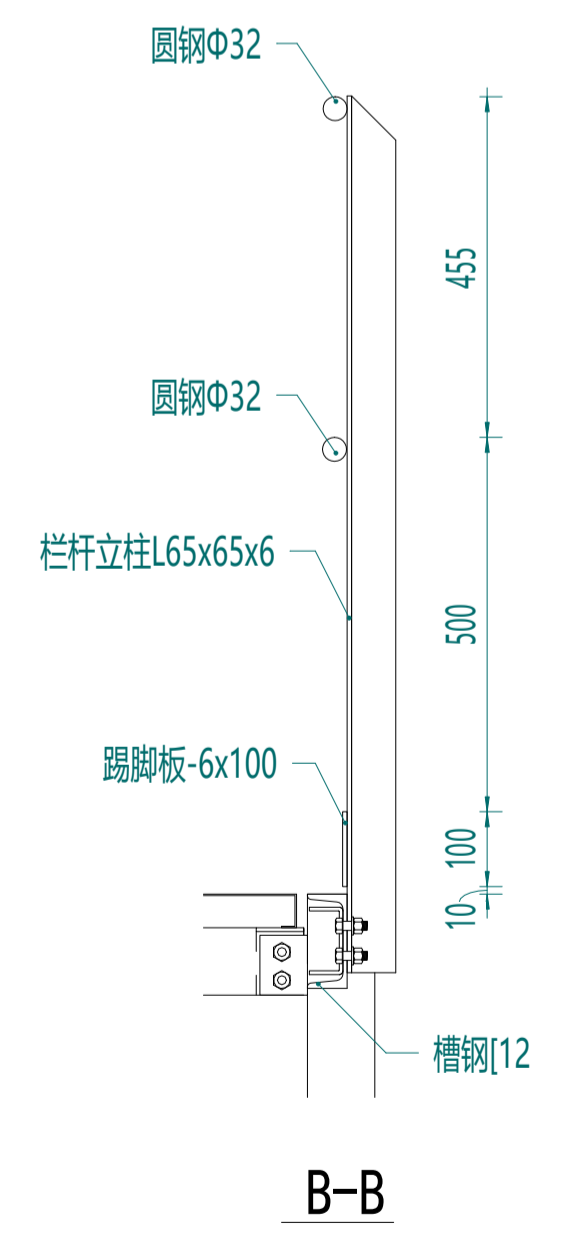
A-A



悬空处走道板侧面连接



平台栏杆立面布置图



B-B

Project Name	印尼-集装箱宿舍
Task Name	楼梯节点
File	PT211151
Task	JZ
Drawn By	XJJ
Checked By	XJJ
Designed By	XJJ
Drawn Date	12/20/21
Checked Date	12/20/21
Designed Date	12/20/21

Project Name	印尼-集装箱宿舍
Task Name	楼梯节点
File	PT211151
Task	JZ
Drawn By	XJJ
Checked By	XJJ
Designed By	XJJ
Drawn Date	12/20/21
Checked Date	12/20/21
Designed Date	12/20/21